

2.5 x 4.5mm Tact Switch (Vertical, SMT Type)



TSG-13/14S-XXXH


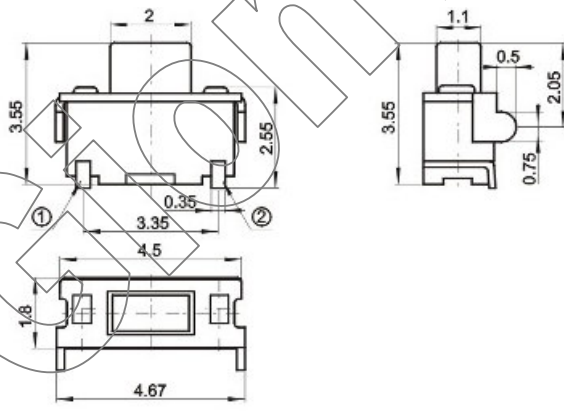
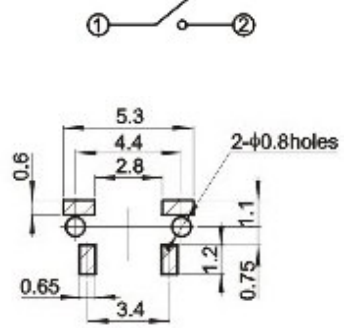
TS - Tact Switch
G - G Series
13 / 14 – Type
S - SMT Type
XXX - Action Force (gram)
H - With Post (Optional)

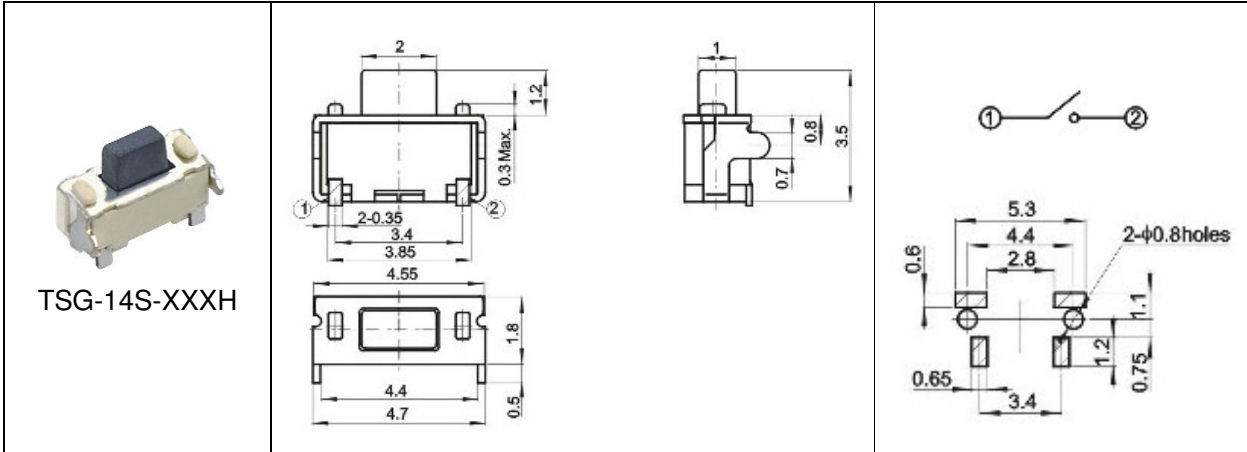
SPECIFICATIONS

Mechanical Life:	500,000 cycles
Operating Force:	90g±30g 180g±50g, 250g±50g
Travel:	0.15±0.05mm
Rating:	50mA 12V DC
Dielectric withstanding:	250V AC/minute
Insulator resistance:	≥ 100 MΩ at 100V
Contact resistance:	≤ 100 mΩ/Contact
Operating temperature:	-30°C ~ +85°C
Storage temperature:	-40°C ~ +85°C

Material

Base:	LCP, UL94V-0
Contact material:	Phosphor Bronze
Contact Spring Plating:	Stainless Steel/Silver Plating

Physical Picture	Outline Drawing	Circuit / Footprint
 <p>TSG-13S-XXXH</p>		



GionTech